



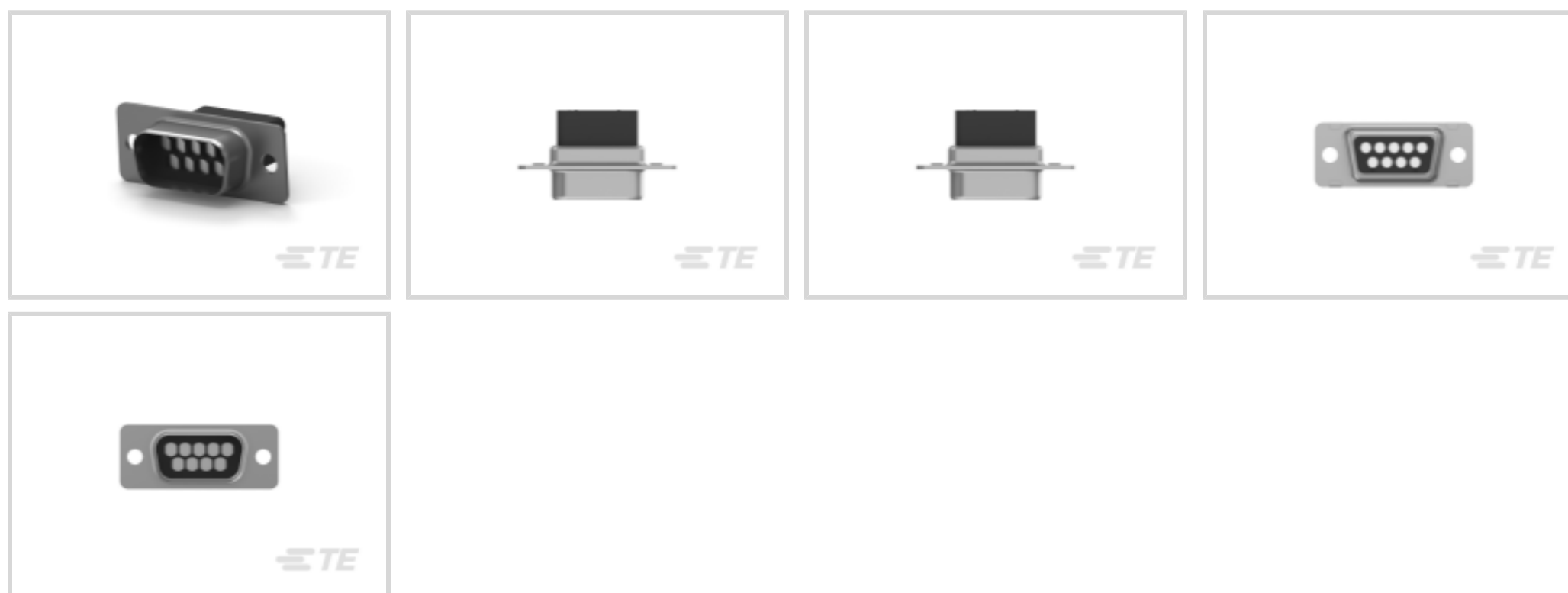
AMPLIMITE

TE Internal #: 205204-8

Crimp D-Sub Connectors, Plug, Cable-to-Cable, 9 Position, Size 20, Size 1, Mating Retention, Shielded, .108 in [2.74 mm] Centerline, Wire & Cable

[View on TE.com >](#)

Connectors > D-Shaped Connectors > D-Sub Connectors > Crimp D-Sub Connectors > D-Sub Crimp: Plug, Signal, 9 Posn, Pin Size 20, Shell Size 1



Connector & Housing Type: **Plug**

Connector System: **Cable-to-Cable**

Number of Positions: **9**

D-Sub Contact Size: **20**

D-Sub Shell Size: **1**

[All D-Sub Crimp: Plug, Signal, 9 Posn, Pin Size 20, Shell Size 1 \(13\)](#)

Features

Product Type Features

Grounding Indents	Without
Product Type	Connector
Grade	Standard
Shell Type	Full Metal Shell
Connector & Housing Type	Plug
Connector System	Cable-to-Cable
D-Sub Shell Size	1
Sealable	No
Connector & Contact Terminates To	Wire & Cable

Configuration Features

Number of Positions	9
---------------------	---

Body Features

--	--



Shell Plating Material	Tin
Shell Material	Steel
Shield Material	Steel
Insert Material	Thermoplastic

Contact Features

D-Sub Contact Size	20
--------------------	----

Mechanical Attachment

Mating Retention	With
Mating Retention Type	Mounting Holes

Housing Features

Centerline (Pitch)	2.74 mm [.108 in]
--------------------	-------------------

Usage Conditions

Operating Temperature Range	-55 – 105 °C [-67 – 221 °F]
-----------------------------	-----------------------------

Operation/Application

For Use With	Crimp Snap-in
Shielded	Yes
Circuit Application	Signal

Industry Standards

Insert Flammability Rating	UL 94V-0
UL Flammability Rating	UL 94V-0

Packaging Features

Packaging Quantity	800
Packaging Method	Package

Other

Comment	Plugs accept size 20 DF pin contacts.
---------	---------------------------------------

Product Compliance

[For compliance documentation, visit the product page on TE.com>](#)

EU RoHS Directive 2011/65/EU	Compliant
EU ELV Directive 2000/53/EC	Compliant
China RoHS 2 Directive MIIT Order No 32, 2016	No Restricted Materials Above Threshold
EU REACH Regulation (EC) No. 1907/2006	



Current ECHA Candidate List: JUNE 2022 (224)

Candidate List Declared Against: JUNE 2022 (224)

Does not contain REACH SVHC

Halogen Content Not Low Halogen - contains Br or Cl > 900 ppm.

Solder Process Capability Not applicable for solder process capability

Product Compliance Disclaimer

This information is provided based on reasonable inquiry of our suppliers and represents our current actual knowledge based on the information they provided. This information is subject to change. The part numbers that TE has identified as EU RoHS compliant have a maximum concentration of 0.1% by weight in homogenous materials for lead, hexavalent chromium, mercury, PBB, PBDE, DBP, BBP, DEHP, DIBP, and 0.01% for cadmium, or qualify for an exemption to these limits as defined in the Annexes of Directive 2011/65/EU (RoHS2). Finished electrical and electronic equipment products will be CE marked as required by Directive 2011/65/EU. Components may not be CE marked. Additionally, the part numbers that TE has identified as EU ELV compliant have a maximum concentration of 0.1% by weight in homogenous materials for lead, hexavalent chromium, and mercury, and 0.01% for cadmium, or qualify for an exemption to these limits as defined in the Annexes of Directive 2000/53/EC (ELV). Regarding the REACH Regulation, the information TE provides on SVHC in articles for this part number is based on the latest European Chemicals Agency (ECHA) 'Guidance on requirements for substances in articles' posted at this URL: <https://echa.europa.eu/guidance-documents/guidance-on-reach>

Compatible Parts



TE Part # CAT-035-DCRSS201
D-Sub Crimp Recept Signal 9 Posn, Socket Size 20, Shell Size 1



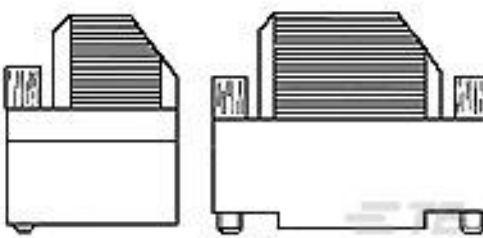
TE Part # CAT-035-DCPPS201
D-Sub Crimp: Plug, Signal, 9 Posn, Pin Size 20, Shell Size 1



TE Part # 2198617-9
Ni Plated Plastic Backshell, 9 Way, Str



TE Part # 3-1393483-8
V42254A1115B209=SUB D FEDERLEI



TE Part # 1393738-2
V42254A6000G115=SUB D GEHAEUSE

Documents

Product Drawings

HDP-20,PLUG,SIZE 1, 9 POSN

English

CAD Files



3D PDF

3D

Customer View Model

[ENG_CVM_CVM_205204-8_T.2d_dxf.zip](#)

English

Customer View Model

[ENG_CVM_CVM_205204-8_T.3d_igs.zip](#)

English

Customer View Model

[ENG_CVM_CVM_205204-8_T.3d_stp.zip](#)

English

By downloading the CAD file I accept and agree to the [Terms and Conditions](#) of use.

Datasheets & Catalog Pages

[AMPLIMITE Subminiature D Connectors - Cable Connectors](#)

English

[AMPLIMITE Cable Connectors and Shielding Hardware Kits QRG](#)

English

Product Specifications

[Application Specification](#)

English

Product Environmental Compliance

[MD_205204-8_06142018842_dmtec](#)

English

[MD_205204-8_06142018842_dmtec](#)

English

Instruction Sheets

[Instruction Sheet \(U.S.\)](#)

English

Agency Approvals

[UL Report](#)

English